

4MX

4" Submersible motors on AISI 304

60 Hz
n ≈ 3450 rpm



Construction features

4" rewindable submersible motors filled with food grade dielectric fluid (USA FDA, European Pharmacopeia approved).
Motor housing, lower and upper support, made in s.s. AISI 304, external shaft in s.s. AISI 316, amply sized rubber equalization diaphragm.
4" NEMA standard, four conductors flat electric cable suitable for use in drinking water, 0.5-3.0 Hp length 2.0 mt, 4.0-7.5 Hp length 3.0 mt. Triple seal system on rotor shaft, bi-directional mechanical seal+radial seal + sand guard.
Single phase motors: PSC type (Permanent Split Capacitor)
Rotation: single phase motors, clockwise facing shaft end, three phase motors clockwise or counter clockwise without distinction.
All motors are 100% tested.

Operation data

Power	: from 0.5Hp to 3Hp (from 0.37 to 2.2 kW) for single phase motors : from 0.5Hp to 7.5Hp (from 0.37 to 5.5 kW) for three phase motors
Rotation speed	: about 3500 rpm
Alimentation tension	: 220V Single phase, 220V – 380V – 460V three phase
Tension change	: max +6% min. -10%
Frequency	: 60Hz / 2 poles
Starting	: D.O.L.
N° of starting/h	: max 20
Water Temperature	: 35°C – 100°F
Horizontal operation	: up to 3Hp (2.2 kW)
Insulation	: class F
Protection	: IP 68
Continuos service	: yes
Cooling flow	: min. 0.8 mt/sec.

4MX

4" Submersible motors on AISI 304



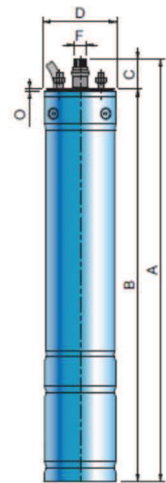
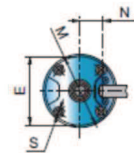
60 Hz
n ≈ 3450 rpm

4MX Single phase 60Hz

Motor	Rated Output		In (Amp)		Direct Start		Power Factor		η	RPM	Axial thrust (N)	Service Factor	In with S.F. (Amp)		
	Kw	Hp	220V	230V	la/in	ca/cn	cos φ	%					220V	230V	450Vc
4MX 050M	0.37	0.5	3.8	4.0	4.1	0.94	0.94	49	≈3450	1500	1.6	4.9	5.2	16	
4MX 075M	0.55	0.75	4.6	4.7	5.4	0.97	0.98	57				1.5	5.8	6.0	25
4MX 100M	0.75	1	6.5	6.7	4.2	0.80	0.93	58				1.4	7.9	8.1	30
4MX 150M	1.1	1.5	9.4	9.6	4.6	0.79	0.88	62				1.3	10.6	10.9	40
4MX 200M	1.5	2	12.0	12.7	4.5	0.92	0.91	61				1.25	13.1	13.5	60
4MX 300M	2.2	3	15.6	16.0	5.2	0.62	0.95	66				1.15	18.4	19.0	70

4MX Three phase 60Hz

Motor	Rated Output		In (Amp)			Direct Start		Power Factor		η	RPM	Axial thrust (N)	Service Factor	In with S.F. (Amp)		
	Kw	Hp	220V	380V	460V	la/in	ca/cn	cos φ	%					220V	380V	460V
4MX 050T	0.37	0.5	2.5	1.5	1.2	5.6	5.14	0.67	60	≈3450	1500	1.6	3.1	1.8	1.5	
4MX 075T	0.55	0.75	3.0	1.8	1.5	6.3	5.01	0.74	67				1.5	3.9	2.3	1.9
4MX 100T	0.75	1	4.5	2.6	2.1	4.4	3.62	0.72	64				1.4	5.4	3.1	2.6
4MX 150T	1.1	1.5	5.5	3.2	2.6	5.1	3.66	0.75	73				1.3	6.7	3.9	3.2
4MX 200T	1.5	2	7.4	4.3	3.5	5.2	3.75	0.74	76				1.25	8.5	4.9	4.1
4MX 300T	2.2	3	10.4	6.0	5.0	5.4	2.2	0.81	72				1.15	13.5	7.8	6.4
4MX 400T	3	4	13.7	7.9	6.5	6.6	3.7	0.75	77		4500	1.15	15.1	8.7	7.2	
4MX 550T	4	5.5	17.3	10	8.3	7.2	2.5	0.76	79			1.15	19.2	11.1	9.2	
4MX 750T	5.5	7.5	23.1	13.3	11	7.6	4.4	0.79	80			1.15	25.8	14.9	12.3	

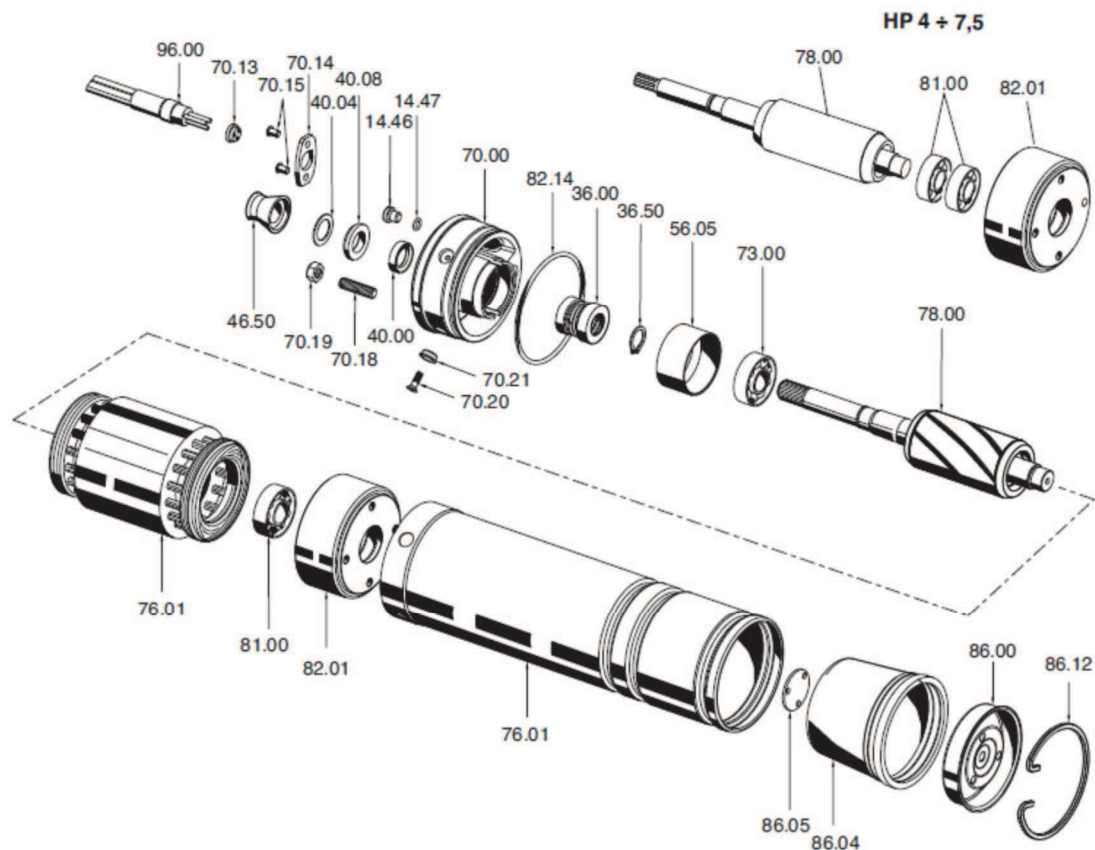


Motor	Rated Output		ph.	Dimensions (mm)										Weight (Kg.)
	Kw	Hp		A	B	C	D	E	F	M	N	O	S	
4MX 050M	0.37	0.5	Single	365	327	38 +0.030/+0.05	∅95	∅87.3 h8	∅15.5 +0.1/0	∅76 ±0.1	33	3	M8	7.6
4MX 075M	0.55	0.75		400	362									9.4
4MX 100M	0.75	1		400	362									9.4
4MX 150M	1.1	1.5		440	402									10.7
4MX 200M	1.5	2		485	447									12.4
4MX 300M	2.2	3		555	517									15.7
4MX 050T	0.37	0.5	Three	365	327									7.7
4MX 075T	0.55	0.75		365	327									7.7
4MX 100T	0.75	1		385	347									8.7
4MX 150T	1.1	1.5		400	362									9.5
4MX 200T	1.5	2		440	402									10.8
4MX 300T	2.2	3		440	402									11.7
4MX 400T	3	4		519	481	15.1								
4MX 550T	4	5.5		584	546	18.1								
4MX 750T	5.5	7.5		684	646	22.5								

4MX

4" Submersible motors on AISI 304

60 Hz
n ≈ 3450 rpm



POS.	DENOMINATION	Q.ty.
14.46	Oil Cap	2
14.47	O-ring	2
36.00	Mechanical Seal	1
36.50	Mechanical seal circlip	1
40.00	Radial shaft seal	1
40.04	Spacer	1
40.08	Adjusting Ring	1
46.50	Sand Protection	1
56.05	Cable jacket	1
70.00	Motor Flange	1
70.13	Washer	1
70.14	Cable fastener	1
70.15	Screw	2
70.18	Stud Bolt	4
70.19	Nut	4
70.20	Screw	4
70.21	Washer	4
73.00	Bearing	1
76.01	Motor jacket with winding	1
78.00	Shaft with rotor packet	1
81.00	Ball bearing	1
82.01	Lower Support	1
82.14	O-ring	1
86.00	Stator membrane cover	1
86.12	Fastening Ring	1
86.04	Membrane	1
86.05	Diapham protection plate	1
96.00	Cable	1