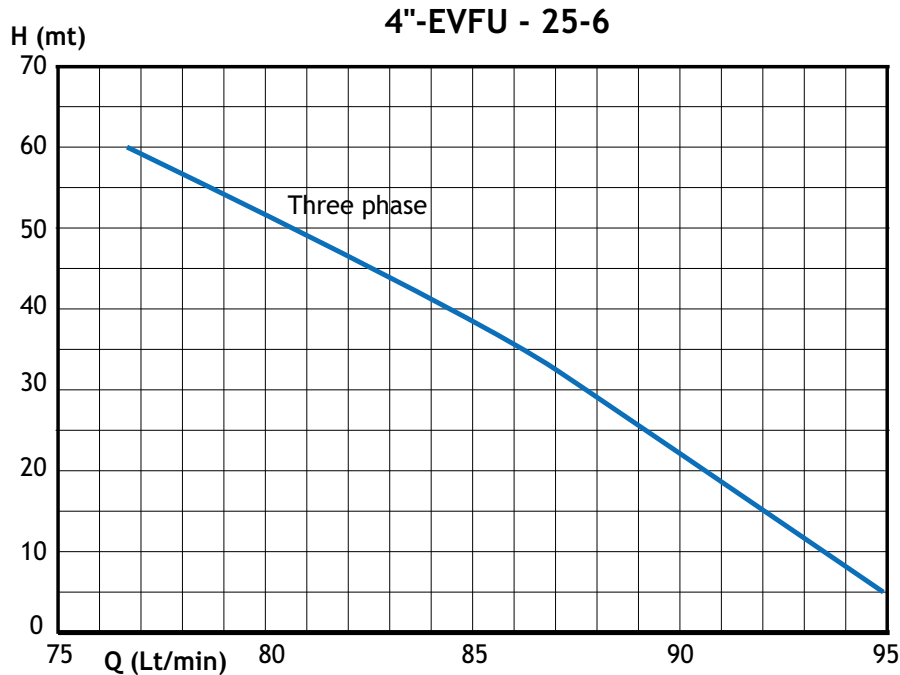


4EVFU

POMPE SOMMERSE A CAVITAZIONE 4"
 4" SUBMERSIBLE CAVITY PUMPS
 POMPES IMMERGÉES À CAVITATION 4"
 BOMBAS SUMERGIDAS DE CAVITACIÓN 4"

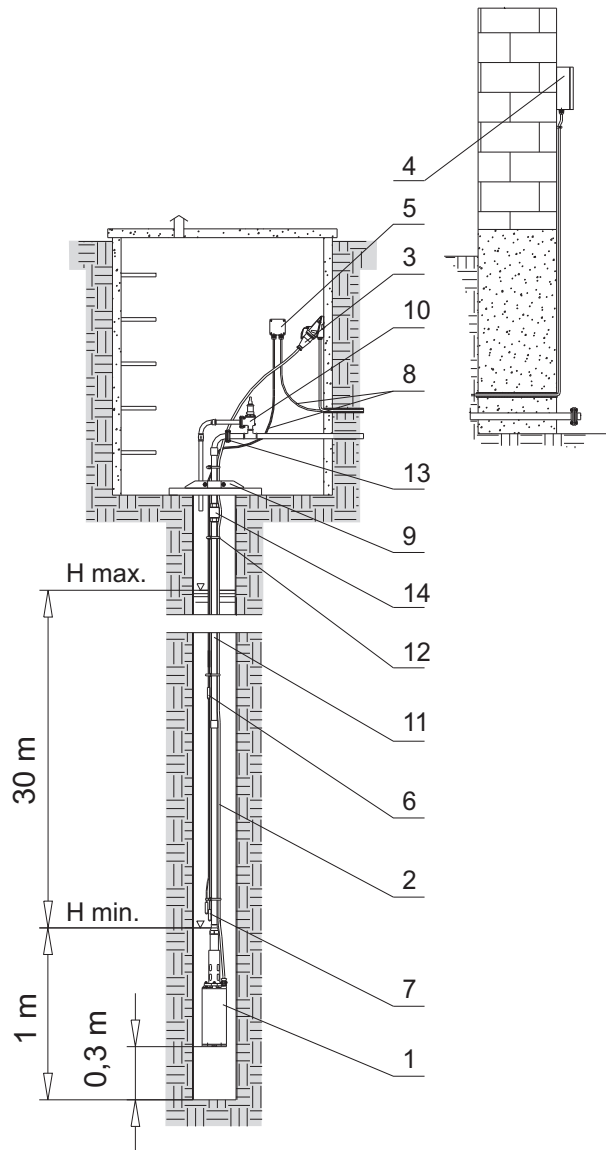


Prestazioni - Performance - Performance - Prestaciones

Pumpset		4" EVFU 25-6
Tipo - Type - Tipe		4" EVFU 25-6/T
Prevalenza massima - Max delivery head Hauteur man. - Altura man.	(H) m	60
Portata - Flow rate - Debit - Caudal	(Q) l/s	0,6
Raccordo di mandata - Discharge connection Raccord de refoulement - Conexión de descarga		G1¼"
Motore - Motor - Moteurs - Motores		Subteck 4MS-150T
Potenza - Power - Puissance - Potencia	kW	1,5
Velocità - Speed - Vitesse - Velocidad	rpm	2820
Voltaggio - Voltage - Tension - Voltaje	Volts	400 (three phase)
Frequenza - Frequency Fréquence - Frecuencia	Hz	50
Cavo - Connected cable - Câble - Cable	mm ²	4x1,5
Diametro set pompa - Pump set diameter Motopompe diamètre - Diámetro set bomba	mm	94
Lunghezza totale - Pump set height Longueur totale - Longitud total	mm	820
Dia. Min. pozzo - Min. dia. of borehole dia. Min. puits - dià. Min. del pozos	mm	100 (4")
Colonna d'acqua max - Max column of water Colonne d'eau max - Columna de agua	m	30
Peso pompa (con 25m di cavo) Pump set weight (with 25m cable) Poids de la pompe (avec 25m de câble) Peso de la bomba (con 25m de cable)	kg	31

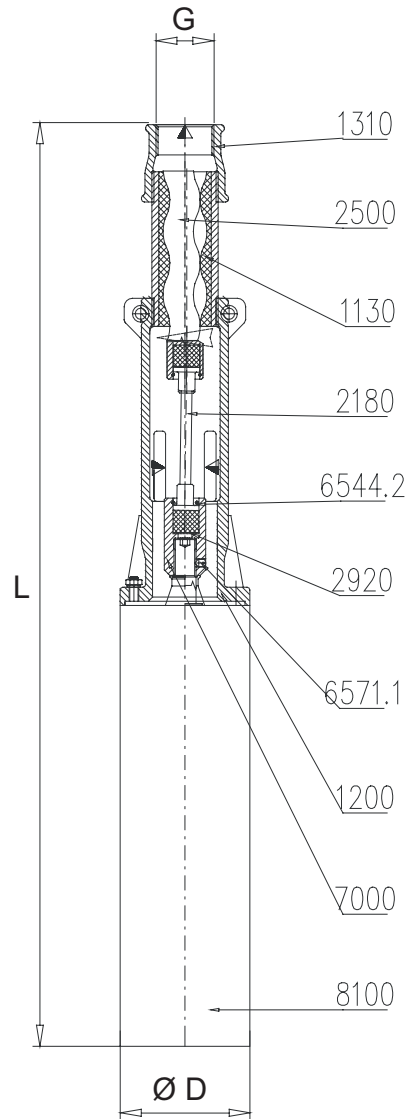
Versione monofase solo per acqua pulita - Single phase version for clear water only

Recommended Installation



1. Pump
2. Power cable
3. Plug and socket outlet
4. Control panel
5. Distribution box
6. Upper level probe
7. Lower level probe
8. Level controller cables
9. Carrying clip
10. Safety valve
11. Delivery pipeline
12. Clamping strip
13. Flange
14. Non-return flap valve

Informative Cross-section of Pump



- 1130 Stator
- 1200 Suction casing
- 1310 Discharge casing
- 2180 Coupling rod
- 2500 Screw
- 2920 Washer
- 6544.2 Circlip
- 6571.1 Bolt M6 x 8
- 7000 Coupling
- 8100 Electric motor